



CENTURY

LIGHTING | ART | DESIGN

joekrauslighting

301-537-5808

[joe@joekrauslighting.com](mailto:joe@joekrauslighting.com)

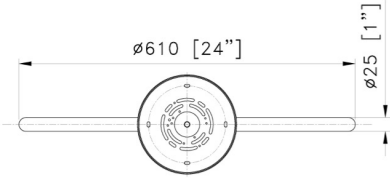
[www.joekrauslighting.com](http://www.joekrauslighting.com)







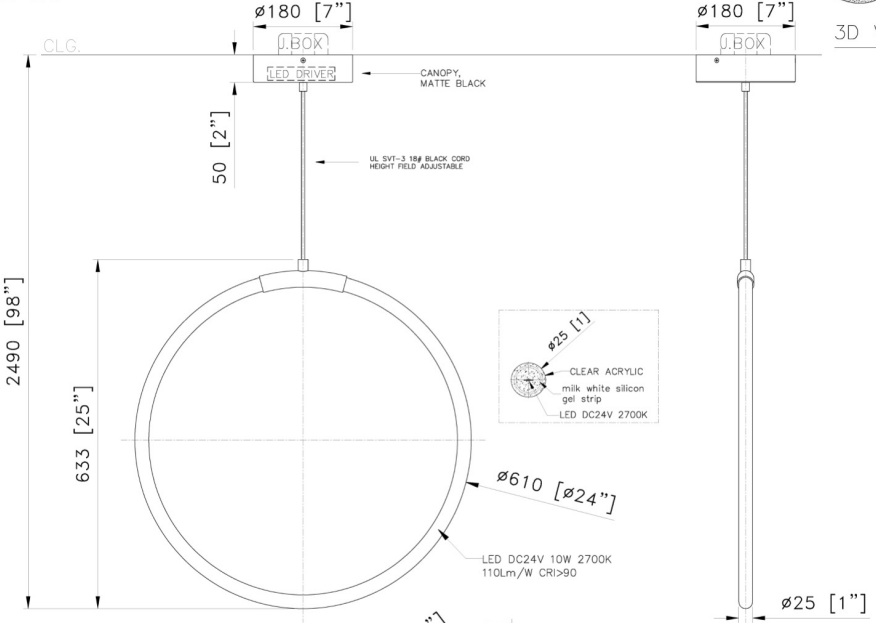
- NOTES:  
 1)METAL: ALL EXPOSED METAL FINISH TO BE BLACK  
 2)SHADE: MILK WHITE SILICON GEL STRIP  
 3)LAMPING: INTEGRATED LED 10W 2700K, ELV DIMMING, W/DRIVER@CANOPY, 120V, A.C. 60Hz  
 4)HARD WIRED  
 UL/CUL APPROVED  
 \*\*APPROX. MAX. WEIGHTS: 8LBS



3D VIEW

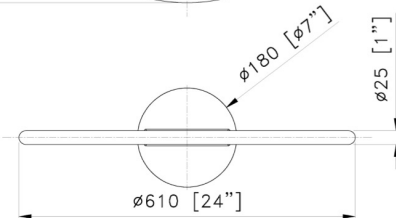
TOP VIEW

SCALE: 1: 9



FRONT VIEW

SCALE: 1: 9



BOTTOM VIEW

SCALE: 1: 9

SIDE VIEW

SCALE: 1: 9

**CUSTOM LARGE HOOP PENDANT**

ITEM NO: M3 QTY: 5X

**Starr Hill Tapouse**

Approval:  Date: \_\_\_\_\_

With comments: \_\_\_\_\_

Signed By: \_\_\_\_\_

Estimated Leads time are contingent upon receiving approved submittals and are subject to change

Les Industries CENTURY Industries Inc.

5645 Royalmount Ave.

Montreal, Quebec, Canada H4P 2P9

Tel : 514-842-3933 Fax: 514-842-7481

Toll free Canada only: 1-877-842-3934

Date: 2023/10/10 Rev: \_\_\_\_\_

(yyyy/mm/dd)

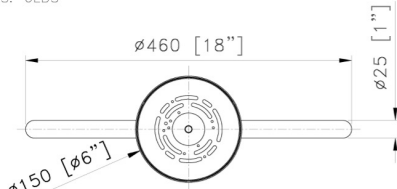
(yyyy/mm/dd)

Dwg. #

P 1/1

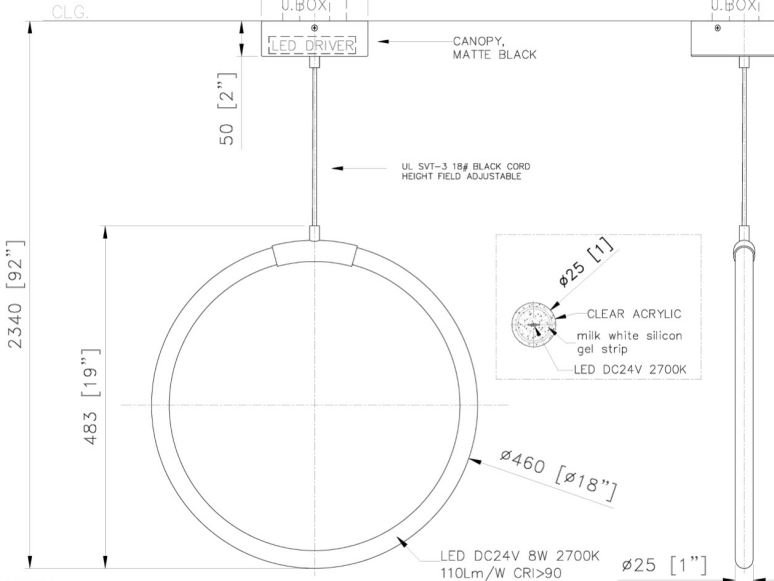
- NOTES:  
 1)METAL: ALL EXPOSED METAL FINISH TO BE BLACK  
 2)SHADE: MILK WHITE SILICON GEL STRIP  
 3)LAMPING: INTEGRATED LED 8W 2700K.ELV DIMMING. W/DRIVER@CANOPY,120V.A.C.60Hz  
 4)HARD WIRED  
 UL/CUL APPROVED  
 \*\*\*APPROX MAX. WEIGHTS: 6LBS

TOP VIEW  
 SCALE: 1 : 7



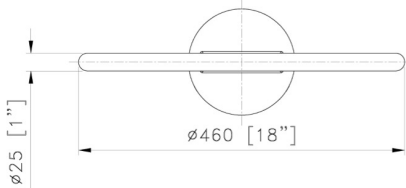
3D VIEW

FRONT VIEW  
 SCALE: 1 : 7



SIDE VIEW  
 SCALE: 1 : 7

BOTTOM VIEW  
 SCALE: 1 : 7



**CUSTOM MEDIUM HOOP PENDANT**

ITEM NO:M2 QTY:TBD

**Starr Hill Taphouse**

Approval:  Date: \_\_\_\_\_

With comments: \_\_\_\_\_

Signed By: \_\_\_\_\_

Estimated Leads time are contingent upon receiving approved submittals and are subject to change

Les Industries CENTURY Industries Inc.

5645 Royalmount Ave.

Dwg. #

Montreal, Quebec, Canada H4P 2P9

Tel :514-842-3933 Fax:514-842-7481

Toll free Canada only:1-877-842-3934

Date:2023/10/10 Rev: \_\_\_\_\_

(yyyy/mm/dd)

(yyyy/mm/dd)

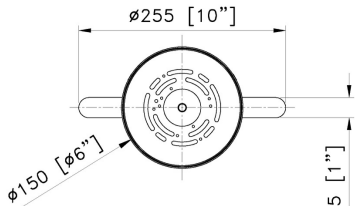
P 1/1

NOTES:

- 1)METAL: ALL EXPOSED METAL FINISH TO BE BLACK
- 2)SHADE: MILK WHITE SILICON GEL STRIP
- 3)LAMPING: INTEGRATED LED 5W 2700K.ELV DIMMING. W/DRIVER@CANOPY,120V.A.C.60Hz
- 4)HARD WIRED
- UL/CUL APPROVED
- \*\*\*APPROX MAX. WEIGHTS: 5LBS

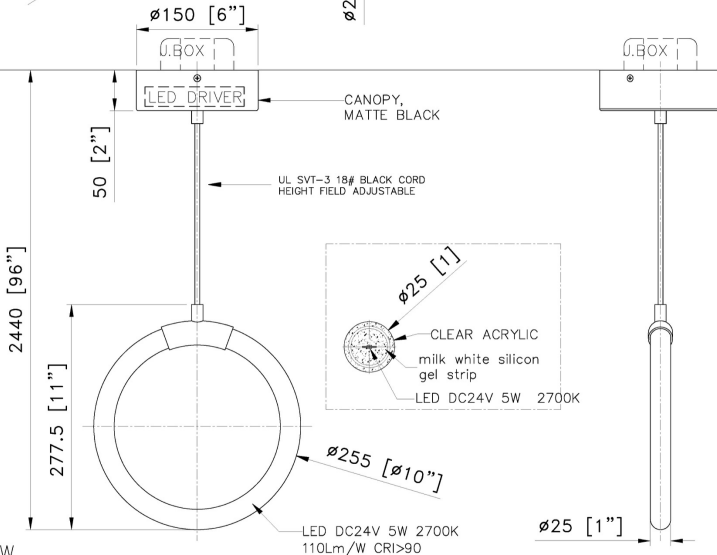
TOP VIEW

SCALE: 1:6



3D VIEW

CLG.



FRONT VIEW

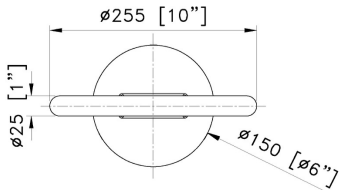
SCALE: 1:6

SIDE VIEW

SCALE: 1:6

BOTTOM VIEW

SCALE: 1:6



**CUSTOM SMALL HOOP PENDANT**

ITEM NO:M1 QTY:8X

**Starr Hill Taphouse**

Approval:  Date: \_\_\_\_\_

With comments: \_\_\_\_\_

Signed By: \_\_\_\_\_

Estimated Lead time are contingent upon receiving approved submittals and are subject to change

Les Industries CENTURY Industries Inc.  
 5645 Royalmount Ave.  
 Montreal, Quebec, Canada H4P 2P9  
 Tel:514-842-3933 Fax:514-842-7481  
 Toll free Canada only:1-877-842-3934  
 Date:2023/10/10 Rev: \_\_\_\_\_

Dwg. #

(yyyy/mm/dd)

(yyyy/mm/dd)

