



CENTURY

LIGHTING | ART | DESIGN

joekrauslighting

301-537-5808

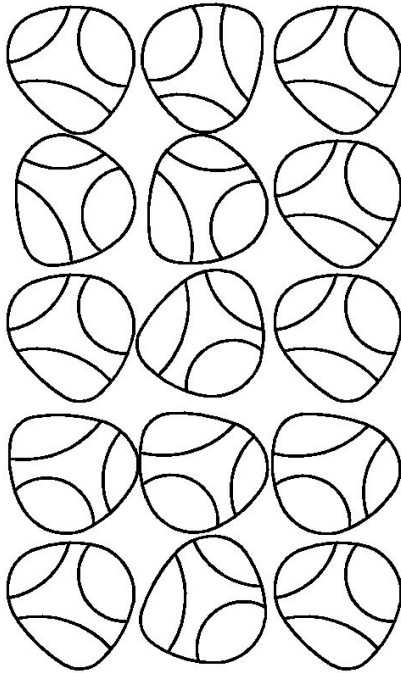
joe@joekrauslighting.com

www.joekrauslighting.com



EXIT

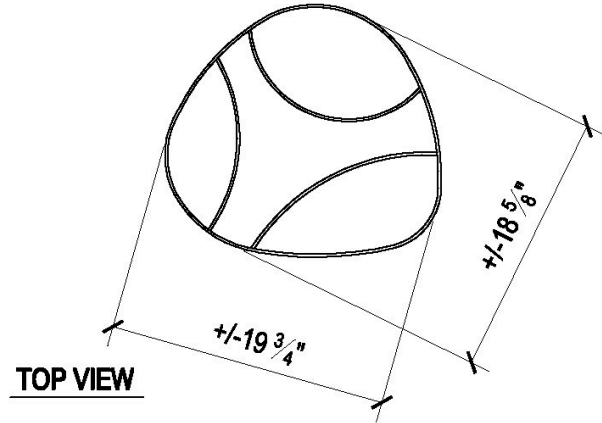
asTec



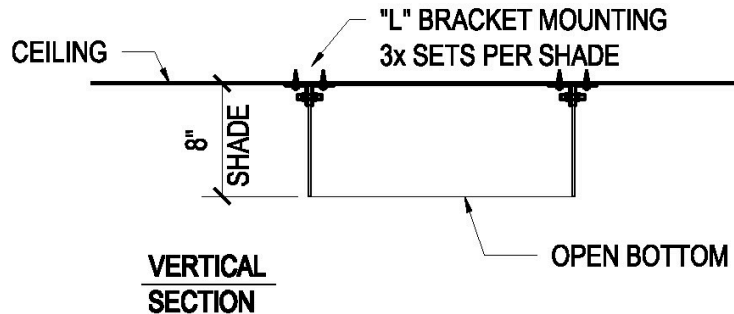
PLAN VIEW (2X)

NOTES:

- 1) **METAL:** ALL EXPOSED METAL FINISH 'CHROME' PLATED.
- 2) **SHADE:** CUSTOM SHAPE, 'CLEAR ACRYLIC'.



TOP VIEW



VERTICAL SECTION

CUSTOM ACRYLIC

QTY: 30x Shades

Approval: Date: _____

With comments: _____

Signed By: _____

MASTEC PHASE 1

CORAL GABLES, FL.

Les Industries CENTURY Industries Inc.
5645 Royalmount Ave.

Montreal, Quebec, Canada H4P 2P9

tel: 514-842-3933 fax: 514-842-7481

Toll free Canada only : 1-877-842-3934

Date: 2017/11/10 rev: _____

Dwg.#

P 1/1