



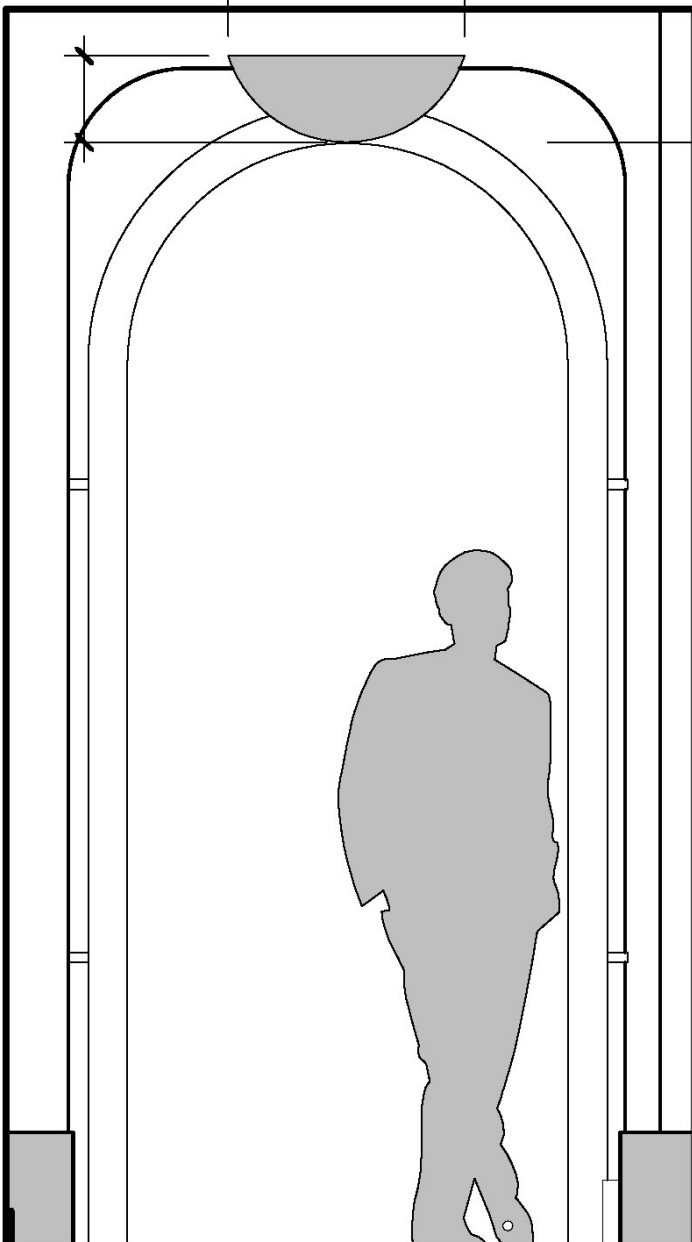
# CENTURY

LIGHTING | ART | DESIGN



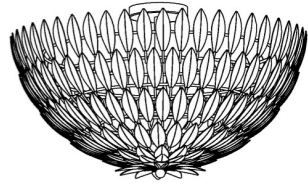
2'-0"

1'-2"

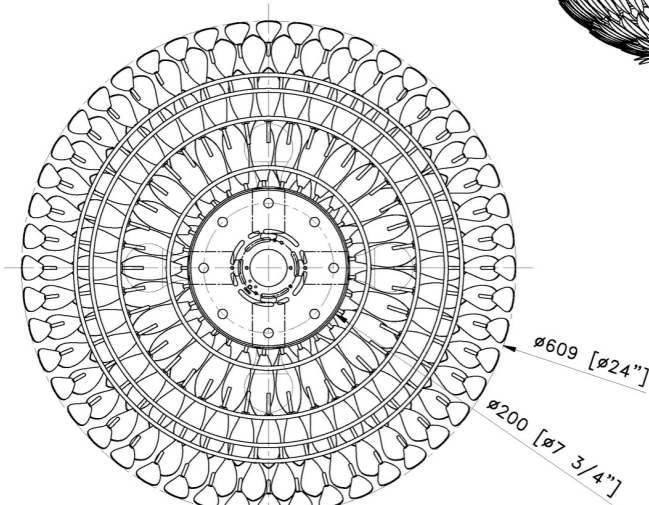


NOTES:

- 1)METAL: ALL EXPOSED METAL FINISH TO BE MATTE WHITE
- 2)SOCKET: 4xEDISON BASE MED.,120V.A.C. 60Hz.  
COMPATIBLE W/ E26 A19 MAX.9W EA 2700K LED .DIMMABLE.  
BULB INCLUDED
- 3)HARD WIRED
- UL/CUL APPROVED
- \*\*\*APPROVED MAX.WEIGHTS: 45LBS

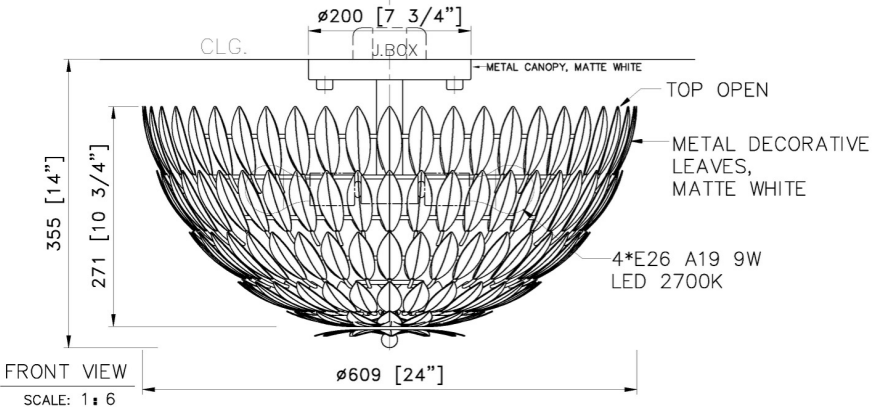


3D VIEW



TOP VIEW

SCALE: 1 : 6



FRONT VIEW

SCALE: 1 : 6

**CUSTOM FLUSHMOUNT FIXTURE @AMENITY ARCHWAY CORRIDOR**

ITEM NO: BA-AF2 QTY:6X

**National Landing Building 2**

Arlington, VA

Approval:  Date: 04.18.23

With comments:  
PROVIDE FINISH SAMPLES FOR 1LD APPROVAL

Signed By: JASON VALENTIN

Estimated Leads time are contingent upon receiving approved submittals and are subject to change

Les Industries CENTURY Industries Inc.  
5645 Royalmount Ave.

Dwg. #

Montreal, Quebec, Canada H4P 2P9

Tel:514-842-3933 Fax:514-842-7481

Toll free Canada only:1-877-842-3934

Date:2022/11/07 Rev: 2023/03/26

(yyyy/mm/dd)

(yyyy/mm/dd)

