

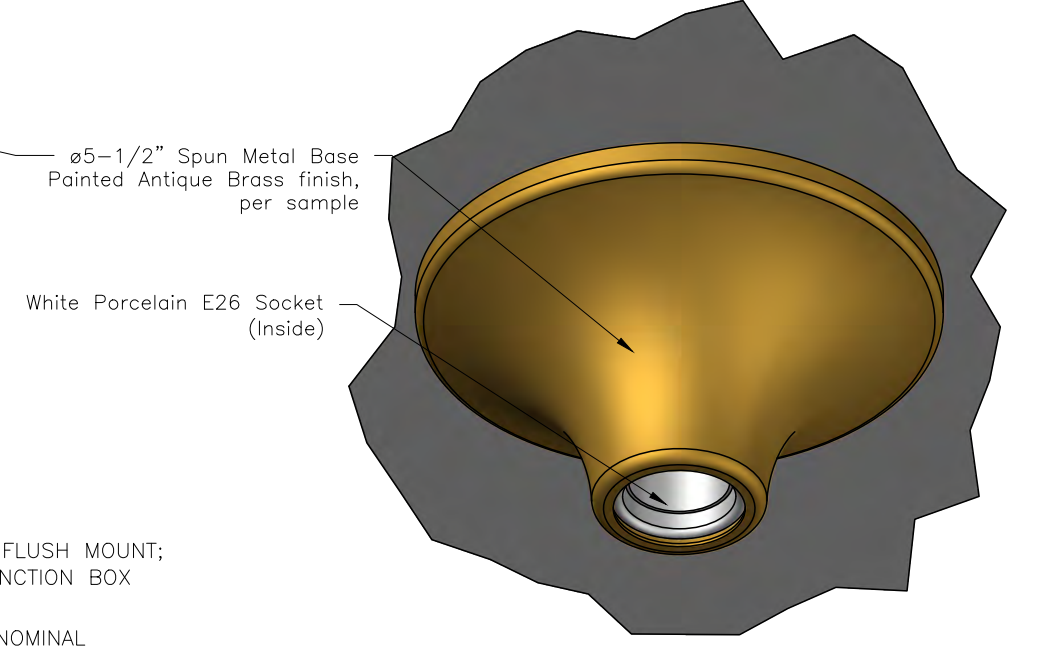
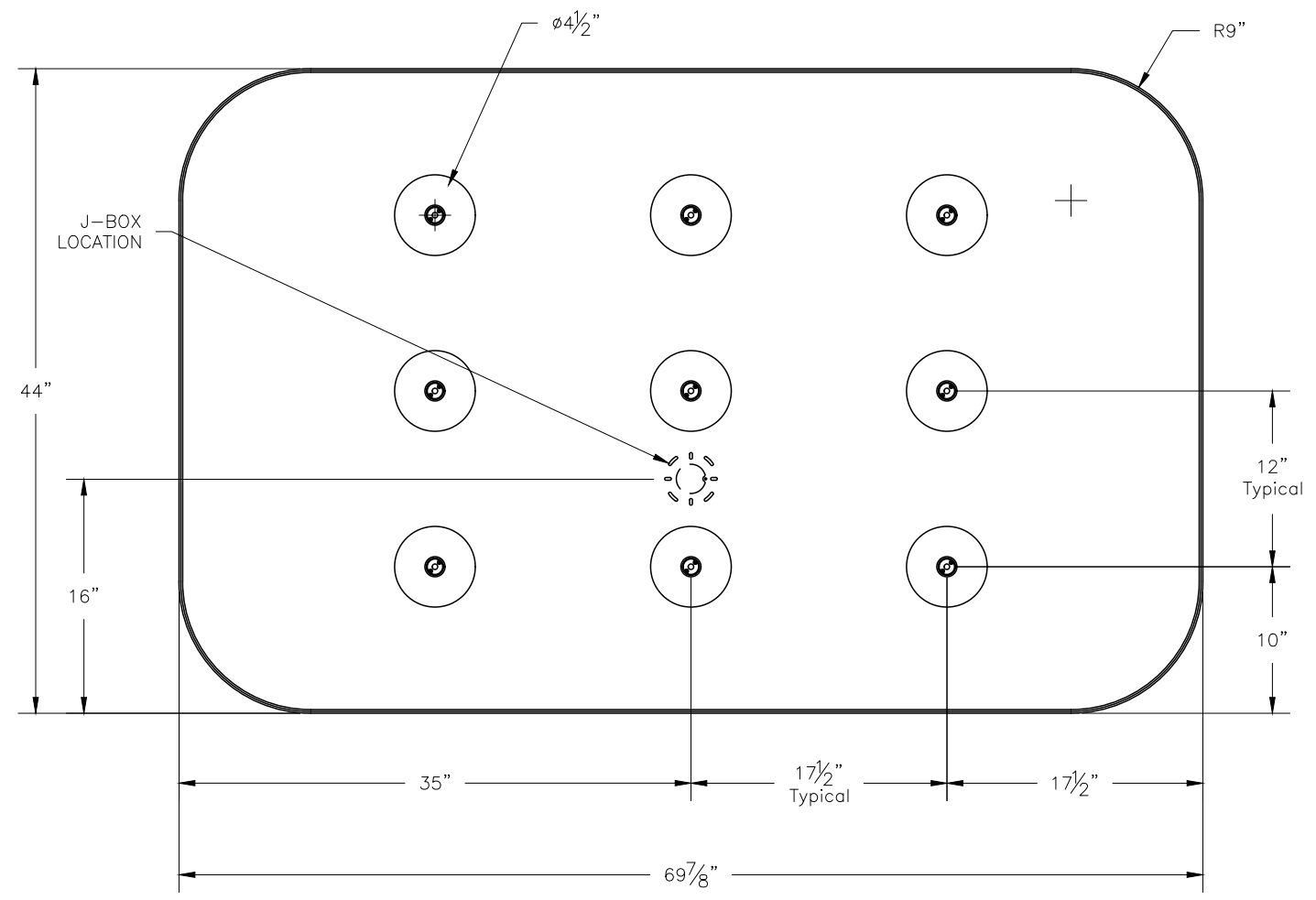
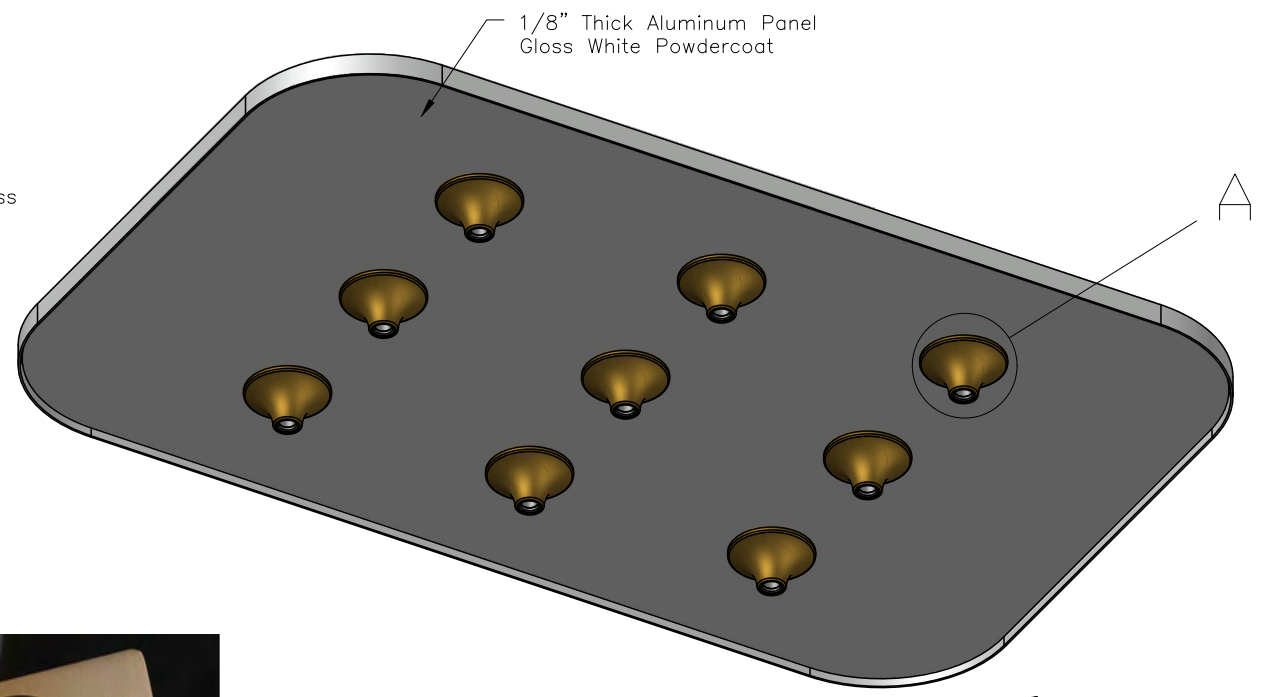
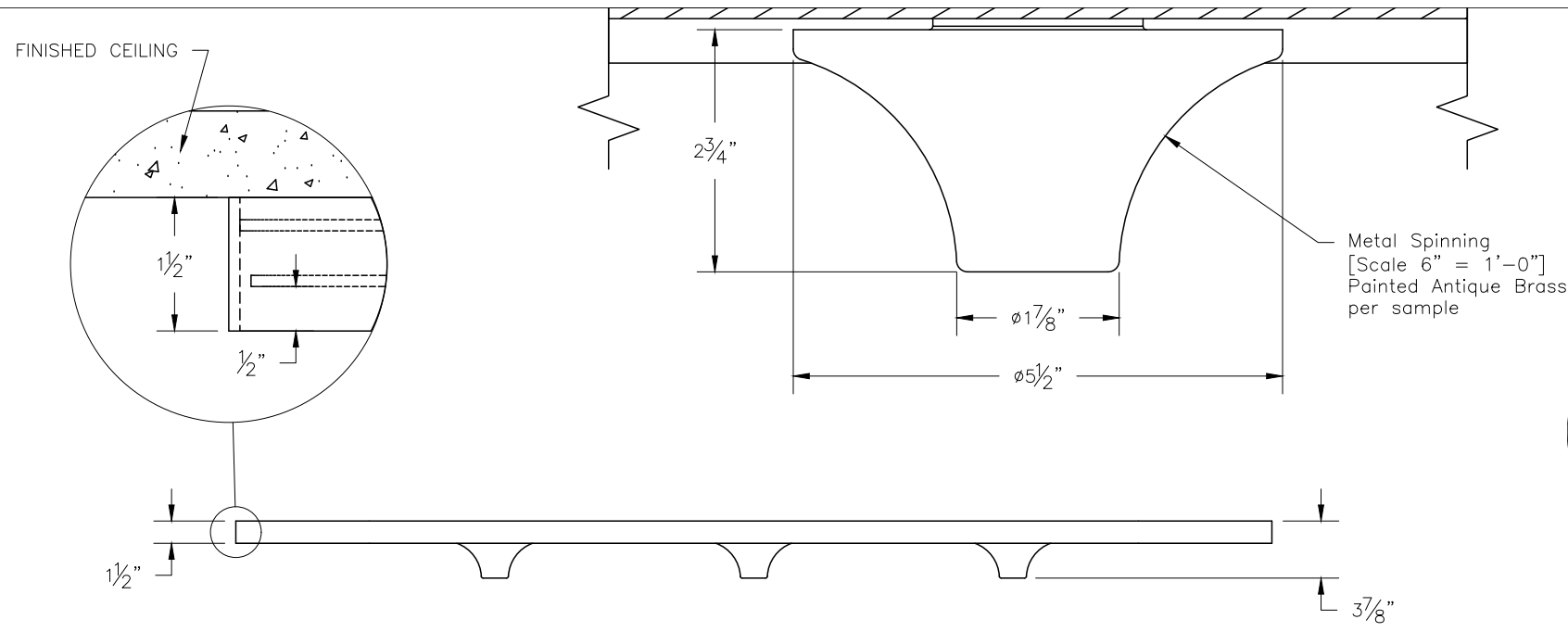
LEX



MADE IN AMERICA

Morgan Street





DETAIL A
SCALE 6" = 1'-0"

SPECIFICATIONS

MOUNTING	CEILING SURFACE FLUSH MOUNT; 4" OCTAGONAL JUNCTION BOX (BY OTHERS)
SIZE	44" x 69-7/8", NOMINAL
FINISH	NOTED
DIFFUSER	NONE
LAMP	(9) E26 60w MAX INCANDESCENT (LED RETROFIT LAMPS BY OTHERS)
VOLTAGE	120v
LISTING	NRTL LISTED DRY LOCATION
WEIGHT	BASE SOCKET ASSY: ≈51 Lbs 44" x 69-7/8" FACE PLATE PANEL: ≈37 Lbs TOTAL WEIGHT: ≈88 Lbs

ILEX		REV. BY	DATE	DESCRIPTION
Architectural Lighting				
TITLE/PROJECT: Morgan Street Rimmed Canopy Assembly: 44" x 69-7/8"				
MODEL #: CUFL-5902-H-A2				
TYPE: ---	DRAWN BY: CAC	DATE: Dec. 9, 2020	SCALE: NTS	Order #: ---
MATERIAL: Aluminum		FINISH: NOTED		SHEET #: SHEET 1 OF 1
FILENAME: 5902-H FLUSH CEILING PAN FOR PORCELAIN SOCKETS		DWG: 5902-H-A2		

● Be sure to read and understand all instruction sheets completely before beginning assembly or installation.
 ● All assembly and installation work must be performed by qualified personnel, in accordance with all applicable national and local building and electrical codes.
 ● Be aware that the weight of some fixtures may exceed the strength rating of the 4" electrical junction box or other such hardware at your site. In all cases, it is the responsibility of the contractor to properly secure the fixture to the structure, and to provide adequate support for the fixture.
 ● Due to constant production improvements, ILEX reserves the right to change details of the design, material and finish in any way that will not significantly alter installed appearance or reduce function or performance.

©ILEX. East Taunton, MA 02718 (508) 977-9991

joe kraus lighting 

301-537-5808

joe@joe kraus lighting.com

www.joe kraus lighting.com