

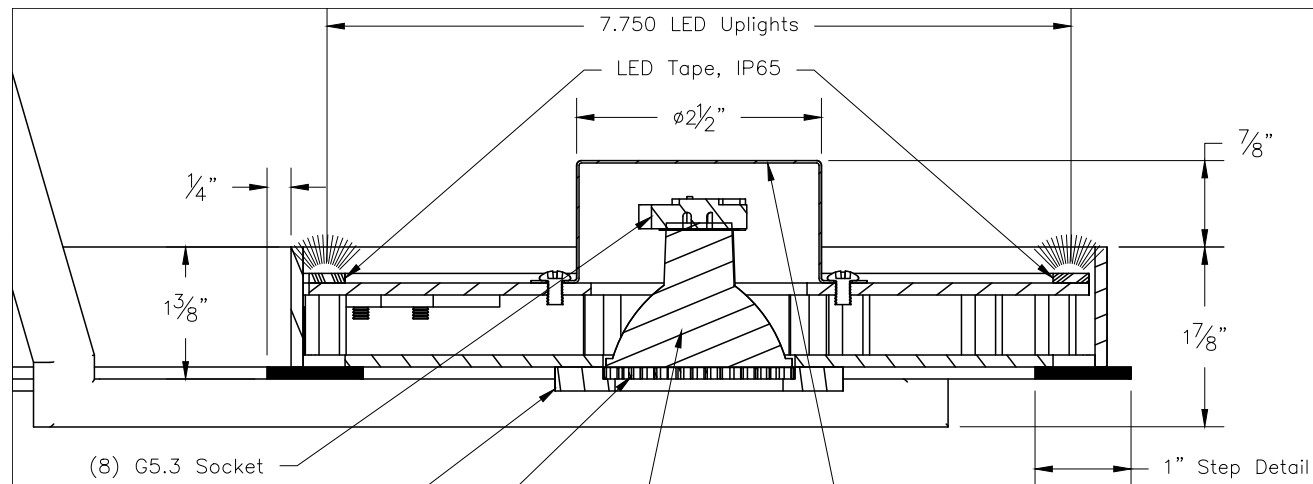
LEX



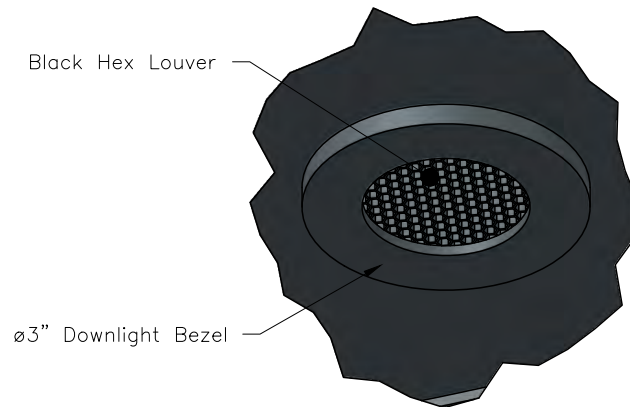
MADE IN AMERICA

Ring Chandelier w/ Bottles

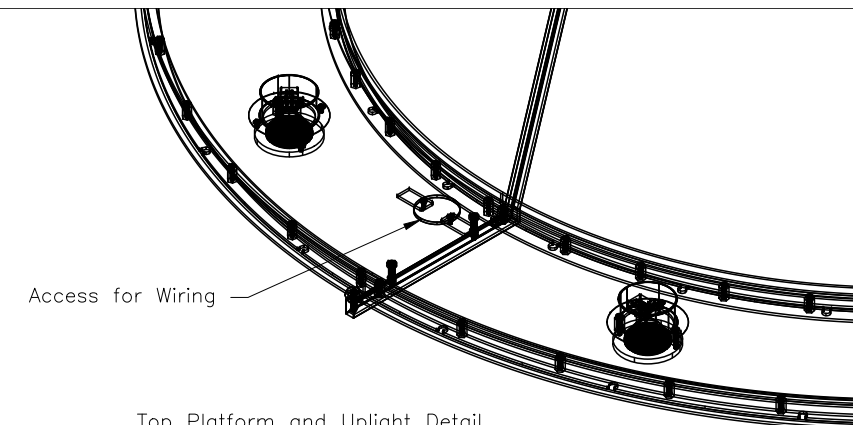




SECTION A-A
SCALE 6" = 1'-0"

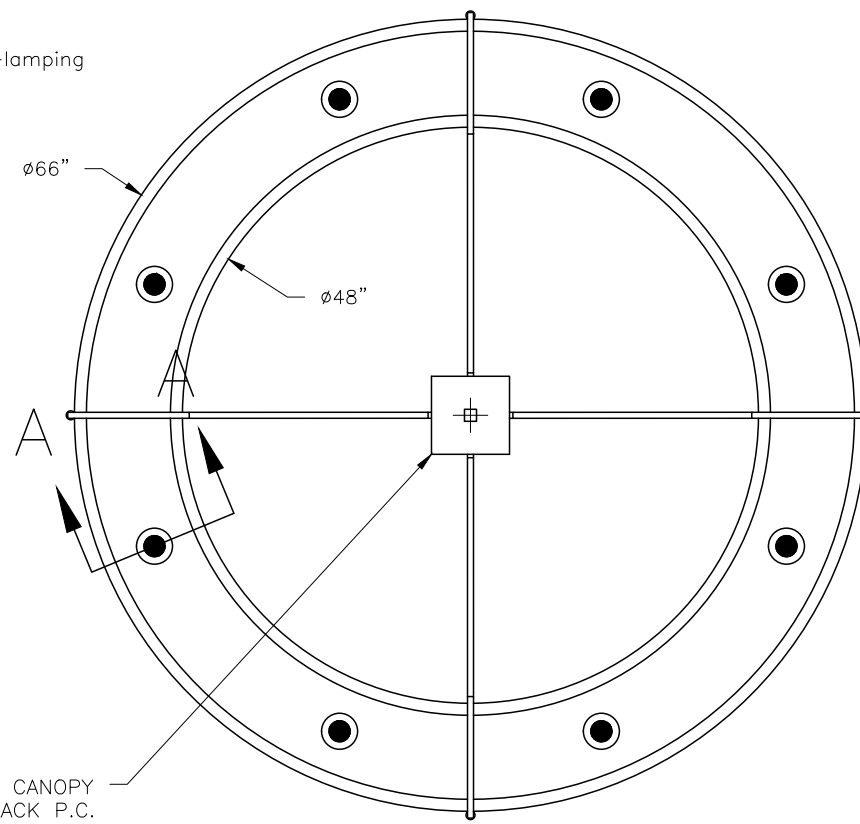
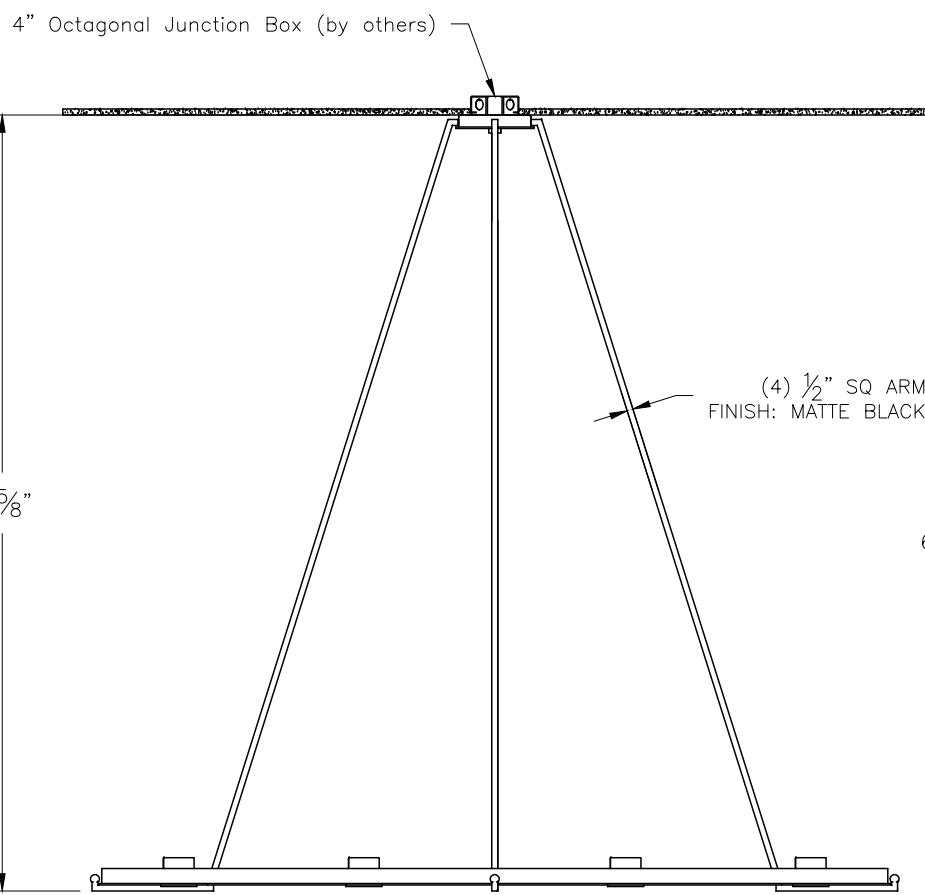


DETAIL B
SCALE 6" = 1'-0"



Top Platform and Uplight Detail

- (8) G5.3 Socket
- (8) Downlight Bezel
- (8) Black Hex Louver
- (8) 12V MR16 LED 7.5W Lamp (By Other)
- (8) Removable Cover for Re-lamping



SPECIFICATIONS

MOUNTING	CEILING SURFACE MOUNT PENDANT; 4" OCTAGONAL JUNCTION BOX (BY OTHERS)
SIZE	ø66" x 64", NOMINAL
FINISH	MATTE BLACK POWDER COAT
DIFFUSER	1/8" BLACK HONEYCOMB LOUVER
LAMP	DOWN-LIGHTS: (8) G5.3 BASE, 12VDC, 7.5W MAX EACH (BY OTHERS) UP-LIGHTS: IP65 LED TAPE; ~30 WATTS; ~3000 TOTAL LUMENS; 2700K CCT; 90 CRI
DRIVERS	(2) DRIVERS/TRANSFORMERS, ONE EACH FOR UP-LIGHT AND DOWN-LIGHT. 120v-277v. REMOTE MOUNTED BY INSTALLATION CONTRACTOR

- Be sure to read and understand all instruction sheets completely before beginning assembly or installation.
- All assembly and installation work must be performed by qualified personnel, in accordance with all applicable national and local building and electrical codes.
- Be aware that the weight of some fixtures may exceed the strength rating of the 4" electrical junction box or other such hardware at your site. In all cases, it is the responsibility of the contractor to properly secure the fixture to the structure, and to provide adequate support for the fixture.
- Due to constant production improvements, ILEX reserves the right to change details of the design, material and finish in any way that will not significantly alter installed appearance or reduce function or performance.

©ILEX. East Taunton, MA 02718 (508) 977-9991

REV.	BY	DATE	DESCRIPTION
4	MDT	Jun 1, 2022	2700K Uplights were 3000K
3	CAC	Apr 27, 2022	Added Step Detail on Face Plate
2.1	MDT	Apr 27, 2022	Added dimension of MR16 housing
2	CAC	Apr 18, 2022	Downlights to 12V, MR16 Type

TITLE/PROJECT: Edwards Project: ø66" x 64" Ring Chandelier		Order #: ---
MODEL #: CUPD-22A14-A-A4		SHEET #: SHEET 1 OF 1
TYPE: ---	DRAWN BY: MDT	DATE: Feb 8, 2022
SCALE: NTS		FINISH: PER ORDER
MATERIAL: ---		DWG: 22A14-A-A4
FILENAME: 22A14-A 66IN RING CHANDELIER (REV4)		

joe kraus lighting 

301-537-5808

joe@joe kraus lighting.com

www.joe kraus lighting.com