



CENTURY

LIGHTING | ART | DESIGN

joekrauslighting

301-537-5808

joe@joekrauslighting.com

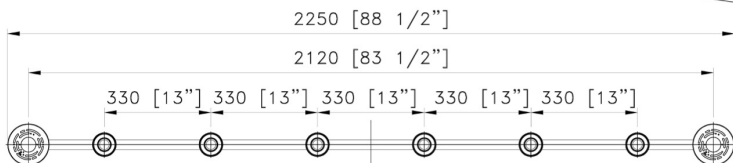
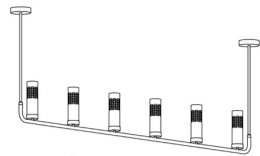
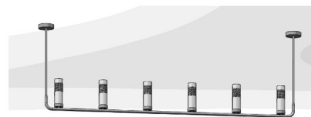
www.joekrauslighting.com



ADMINISTRATIVE
OFFICIAL
ASSOCIATED ONLY

NOTES:

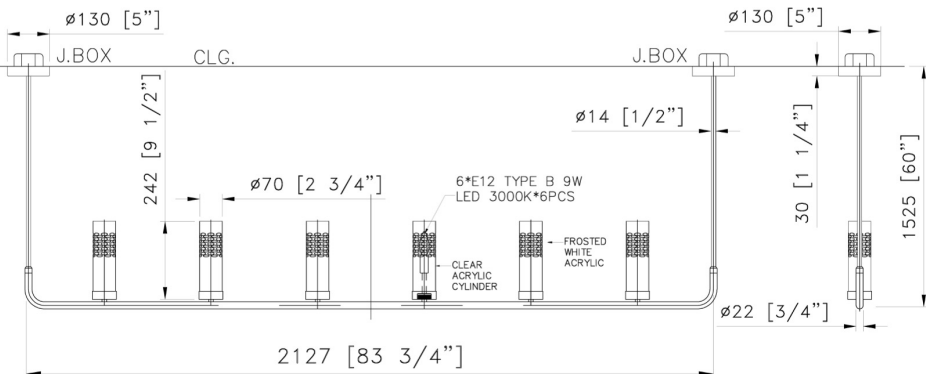
- 1) METAL: ALL EXPOSED METAL FINISH TO BE ANTIQUE BRONZE.
 - 2) SHADE: 6* CLEAR ACRYLIC CYLINDERS W/ MIDDLE FROSTED WHITE.
 - 3) SOCKETS: 6* CANDELABRA BASE. 120V.A.C. 50-60Hz. COMPATIBLE W/ E12 B10 MAX. 9W EA 3000K. DIMMABLE. BULBS NOT INCLUDED
 - 4) HARD WIRED: UL/CUL APPROVED
- ***APPROX MAX. WEIDGHT: 14LBS



3D VIEW

TOP VIEW

SCALE: 1 : 15



FRONT VIEW

SCALE: 1 : 15

SIDE VIEW

SCALE: 1 : 15

CUSTOM LINEAR PENDANT LIGHT

ITEM NO: K10 QTY: 1 PC

BRIGHTVIEW

HUNT VALLEY, PA

Approval: Date: _____

With comments: _____

Signed By: _____

Estimated Leads time are contingent upon receiving approved submittals and are subject to change

Les Industries CENTURY Industries Inc.
 5645 Royalmount Ave. Dwg. #
 Montreal, Quebec, Canada H4P 2P9
 Tel: 514-842-3933 Fax: 514-842-7481
 Toll free Canada only: 1-877-842-3934
 Date: 2021/05/02 Rev: _____

(yyyy/mm/dd)

(yyyy/mm/dd)